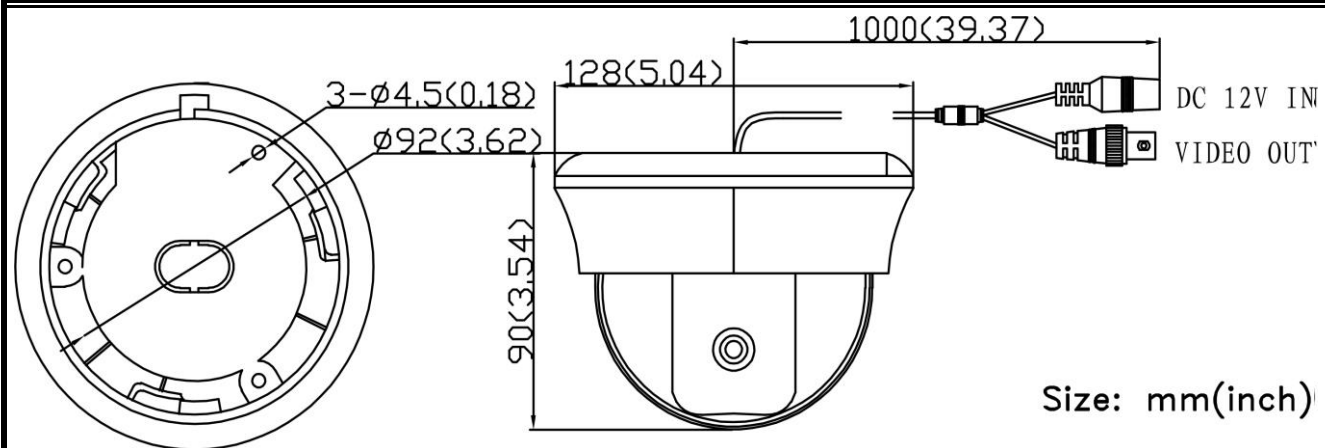


1/3" Colour CCD Dome Camera(CDD-BS18FG)

Photo:



Features:

Plastic housing dome style.

0.05 Lux

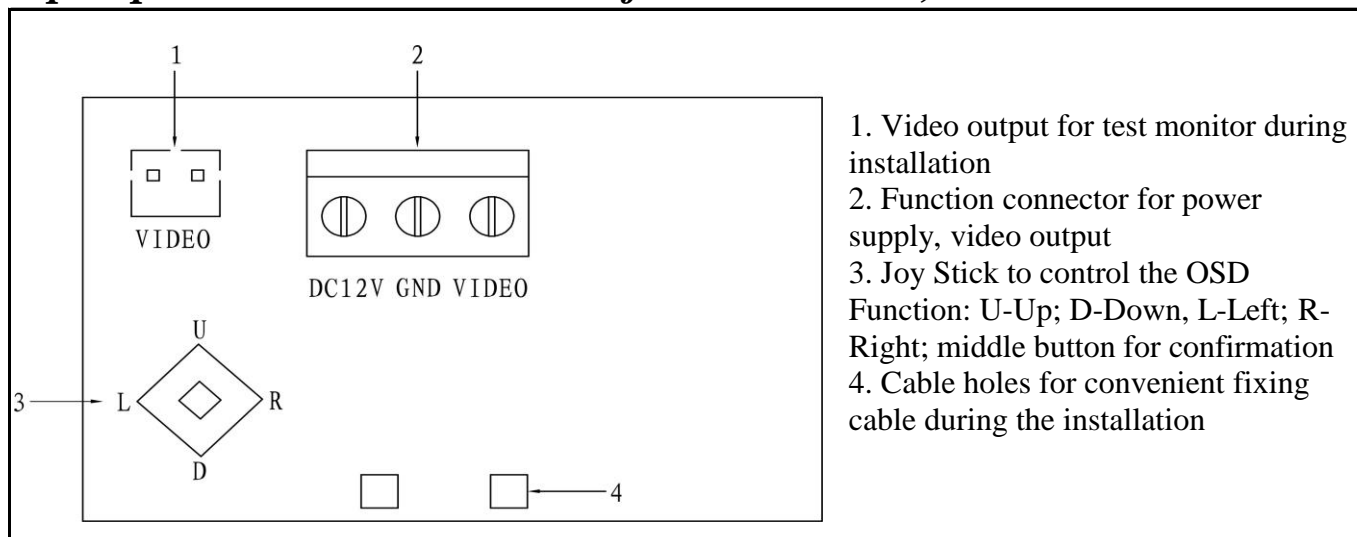
700 Line resolution.

Specifications:

Model Number	CDD-BS18FG
IP Rating	IP55
Type	Colour
Image Sensor	1/3" 960H CCD
Signal Format	NTSC/PAL
Picture Elements	NTSC:1020Hx508; PAL:1020Hx596V
Horizontal Frequency	NTSC:15.734KHz PAL:15.625KHz
Vertical Frequency	NTSC:60Hz PAL:50Hz
Clock Frequency	NTSC/ PAL:36MHz
Scanning System	2:1 Interlace
Horizontal Resolution	700 TVL
S/N Ratio	≥52dB
Min Illumination	0.05Lux
Auto Electronic Shutter	NTSC:1/60-1/100,000S PAL:1/50-1/100,000S
White Balance	ATW
Back Light Compensation	OFF
Auto Gain Control	ON
Lens	2.9 mm Borad Lens
Video output	1Vp-p,75Ω
Gamma Correction	0,45
Current Consumption	75mA
Power Supply	DC12V±10%
Weight	270g (9.52oz)
Dimensions	ø128x90mm (5.03x3.54inch)
Storage Temperature	-30~+60°C (-22~+140°F)
Operating Temperature	-30~+45°C (-22~+113°F)

Warning:The camera are only operated with regulative adaptor DC 12V,
AC to DC non-regulative adaptor may cause camera damaged.

Open plastic cover and see the function board, details as below:



Adjustable parameters by OSD menu Packing:

OSD Menu Item	Adjustable Parameters
LANGUAGE	ENGLISH / SPANISH / PORTUGUESE / FRENCH / GERMAN / CHINESE / JAPANESE / RUSSIAN
LENS	MANUAL / AUTO (TYPE/MODE/SPEED)
SHUTTER/AGC	AUTO(HIGH LUMINANCE / MODE/BRIGHTNESS/ LOW LUMINANCE / MODE/BRIGHTNESS) MANUAL(MODE / SHUTTER / AGC)
WHITE BAL	ATW / PUSH LOCK MANUAL / ANTI CR / USER 1/ USER 2 / PUSH
PICT ADJUST	MIRROR / BRIGHTNESS / CONTRACT / SHARPNESS / HUE/GRAIN
NR	NR MODE / Y LEVEL / C LEVEL
DAY NIGHT	AUTO / B/W / COLOUR
BACK LIGHT	OFF / BLC / HLC
ATR	OFF / ON(LUMINANCE / CONTRAST)
PRIVACY	OFF / ON(AREA SEL / TOP / BOTTOM / LEFT / RIGHT / COLOUR / TRANSP / MOSIAC)
MOTION DET	OFF / ON(DETECT SENSE / BLOCK DISPLAY / MONITOR AREA / AREA SELECT / TOP / BOTTOM / LEFT / RIGHT)
CAMERA ID	OFF / ON(OPENS VIRTUAL KEYBOARD)
CAMERA RESET	