

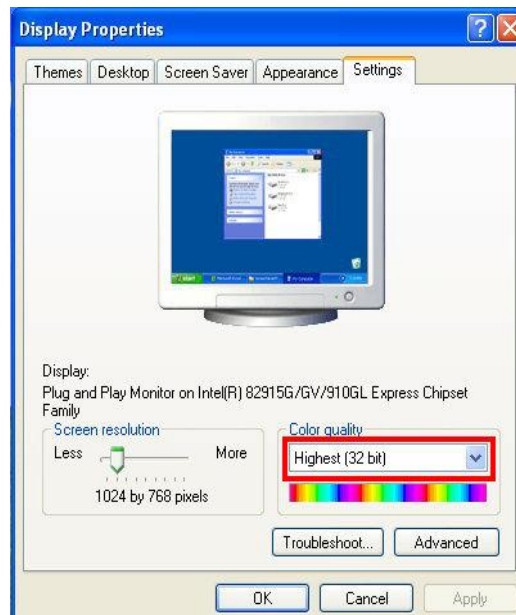
I. Product Installation / iDC-1NCF

A. Monitor Settings

1. Right-Click on the desktop. Select “Properties”



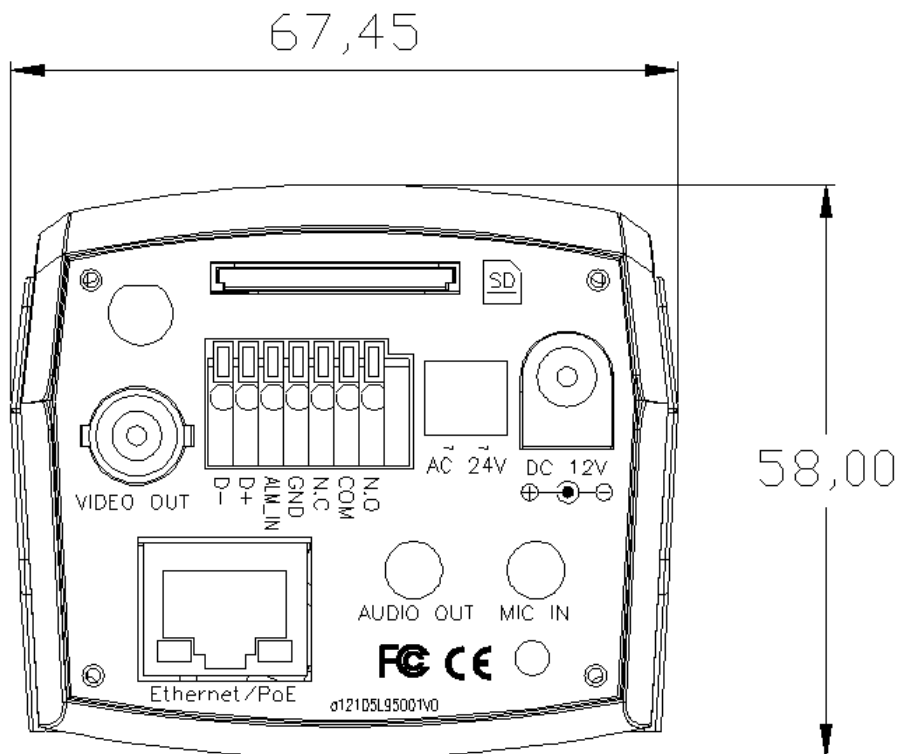
2. Change color quality to highest (32bit).



B. Hardware Installation

1. Connector Instruction

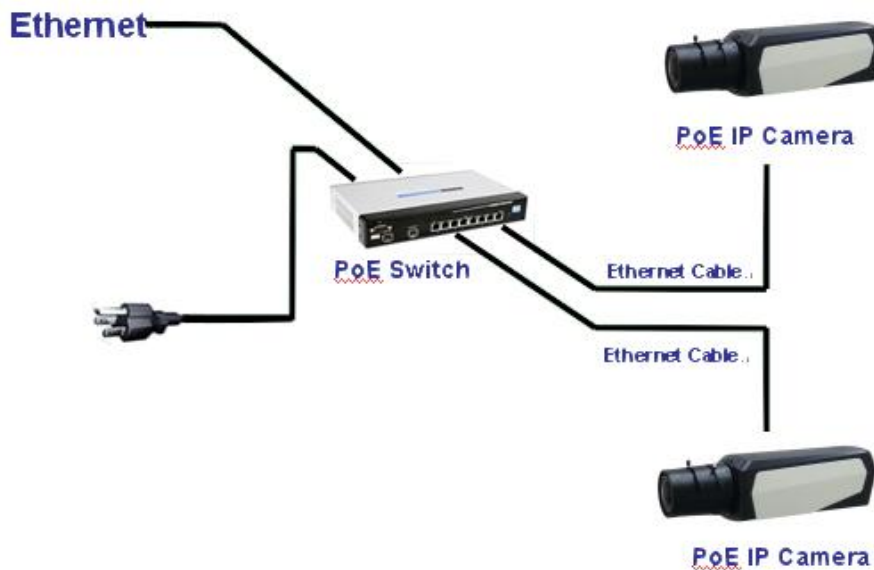
The camera connectors are as below. Connect the power and the Ethernet cable to the camera and set it according to your network environment.



2. PoE (Power Over Ethernet) (Optional) 802.3af, 15.4W PoE Switch is recommended

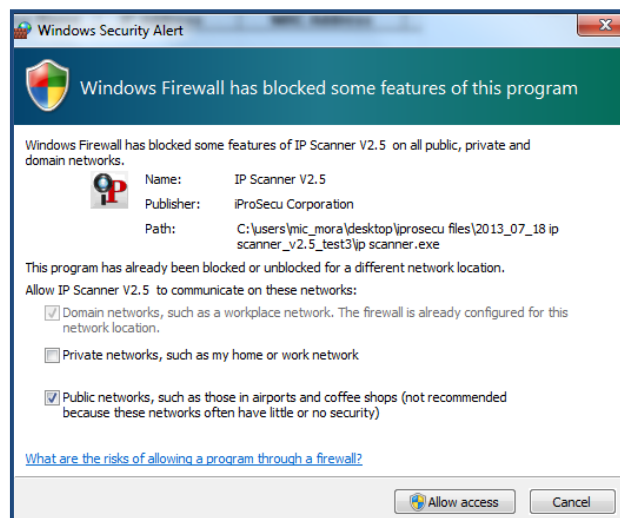
Power over Ethernet (PoE) is a technology that integrates power into a standard LAN infrastructure. It allows providing power to a network device, such as an IP phone or a network camera, using the same cable as that used for network connection. It eliminates the need for power outlets at the camera locations and enables easier application of uninterruptible power supplies (**UPS**)

to ensure an operation of 24 hours a day, 7 days a week.

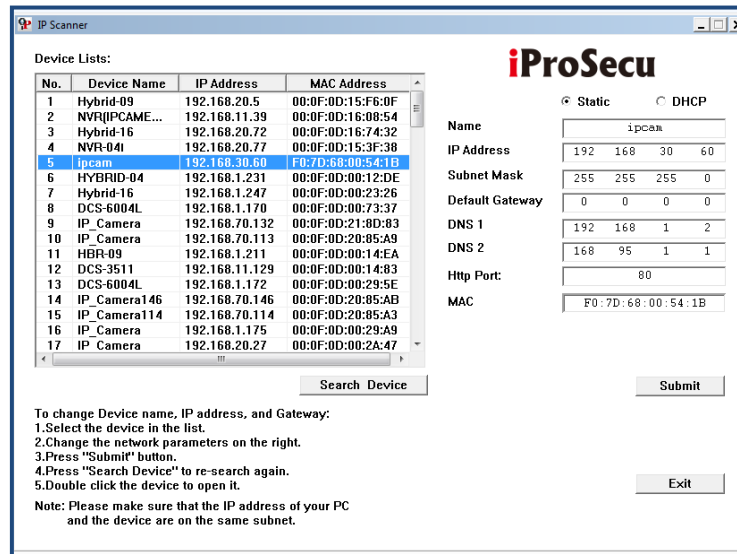


C. IP Settings

1. You can use the software “IP Scanner” (**IP Scanner.exe**) to assign the IP address of IP Camera. The software is in the attached CD
2. After executing “IP Scanner”, on Windows the following message box may pop up. Please click “Allow Access” or “Unblock”.



3. IP Scanner configuration:



4. There are 2 kinds of IP configuration.

- a. Static (Public IP or Virtual IP)
- b. DHCP (Dynamic IP)

5. IP Scanner will search for all IP Cameras connected on LAN. Click "Search Device" to refresh the result list.

6. Click one of the IP Camera listed on the left side. The network configuration of this IP camera shows on the right side. You may change the "name" of the IP Camera as your preference (e.g.: Office, warehouse). Change the parameter and click "Submit". It will apply the change and reboot the Device.

7. Please make sure that the IP address of your PC and IP Camera are on the same subnet.

The same Subnet:

IP Camera address: 192.168.1.200

PC IP address: 192.168.1.100

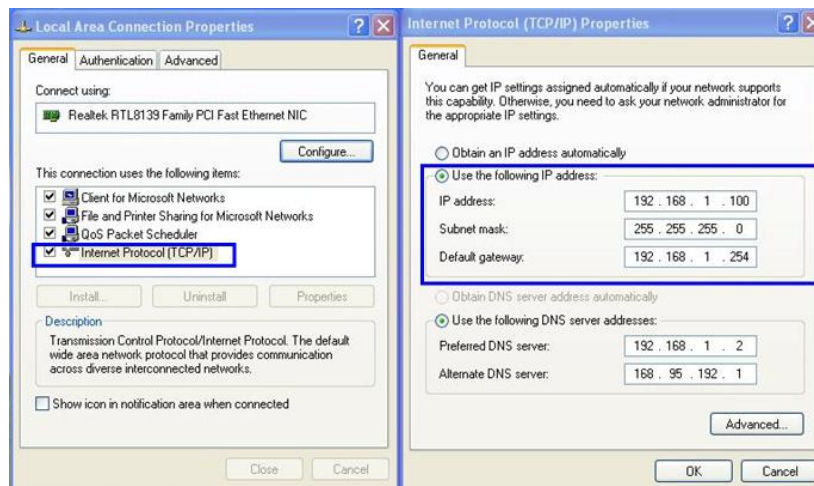
Different Subnets:

IP Camera IP address: 192.168.2.200

PC IP address: 192.168.1.100

To Change the PC IP address:

Control Panel→Network Connections→ Local Area Connection Properties→
Internet Protocol (TCP/IP) → Properties



8. A quick way to access remote monitoring is to double-click the selected IP Camera listed on "Device list" of IP Scanner. An IE browser will be opened.

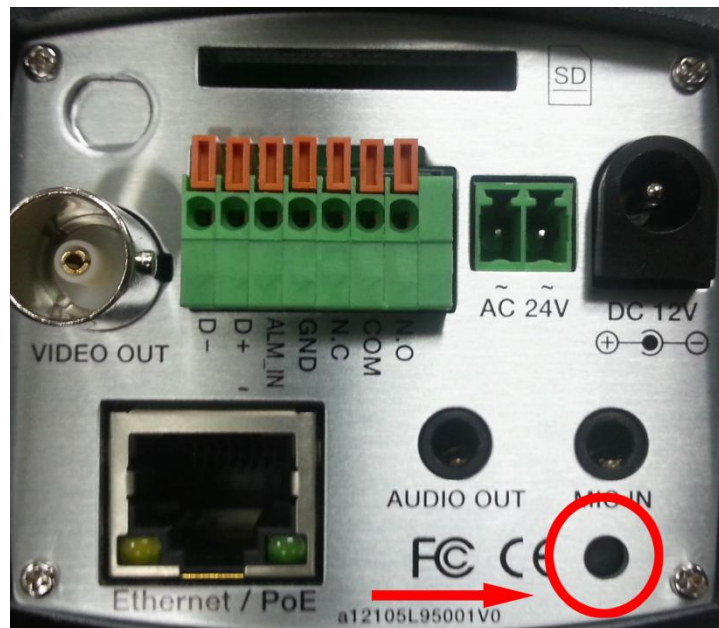
9. If you link to the IP Camera successfully, there pops a box asking you to log in. Please key-in the default user name "admin" and password "admin" when you link to the IP Camera for the first time. You can revise the user name and password later.



II. Factory Default

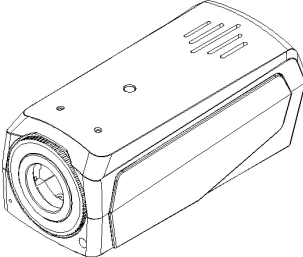
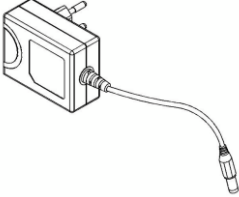
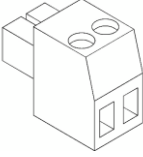

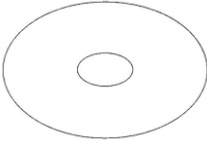
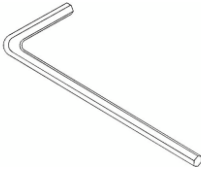
If you forget your password, please follow the steps for restoring the IP camera to factory default.

- Remove the power and Ethernet cable. Press and hold the button shown in the picture below.



- Connect the power back to the camera. It will take around 30 seconds for the camera to boot.
- Release the button and plug-in the Ethernet cable after the camera finishes booting.
- Re-login the camera by using the default IP (**http://192.168.1.200**), and user name: **admin**, password: **admin**.

III. Package Content

| IP Camera | Adaptor | 2P mounting block |
|--|--|--|
|  |  |  |
| Quick Installation Guide | CD | Hex wrench |
|  |  |  |

- Adapter: AC100-240V DC12V/1A
- The CD includes User manual and software tools.

IV. SD Card Compatibility

The following is the compatible SD Card, and those in red are especially recommended:

| SD CARD | |
|----------------|-------------------|
| ADATA 4G | SanDisk 512M |
| ADATA 512M | SanDisk 8G |
| Blast 128M | SiliconPower 128M |
| GiGATEK 128M | SiliconPower 256M |
| Kingmax 256M | TEKQ 128M |
| Kingston 128M | TEKQ 256M |
| Kingston 1G | Toshiba 128M |
| Kingston 256M | Toshiba 256M |
| Kingston 32G | Toshiba 4GB |
| Kingston 512M | Tracend 128M 80X |
| Phast 256M | Tracend 1G 80X |
| Photofast 256M | Tracend 256M 80X |
| PK 128M | Tracend 2G 150X |
| PRETEC 128M | Tracend 4G 150X |
| READY 128M | Tracend 512M 80X |
| SanDisk 128M | Transcend 16G |
| SanDisk 16G | Transcend 32G |
| SanDisk 1G | Transcend 4GB |
| SanDisk 256M | Transcend 8G |
| SanDisk 2G | TwinMOS 128M |
| SanDisk 32G | TwinMOS 256M |
| SanDisk 4GB | UMAX 128M |
| SDHC CARD | |
| SanDisk 4GB | Transcend 4GB |
| SanDisk 8G | Transcend 8G |
| SanDisk 16G | Transcend 16G |
| SanDisk 32G | Transcend 32G |
| Toshiba 4GB | Kingston 32G |