

High Performance Infrared PoE Illuminator

User Manual

802.3at PoE+
15-IL38SPT10
15-IL38SPT30
15-IL38SPT60
15-IL38SPT12



DESCRIPTION

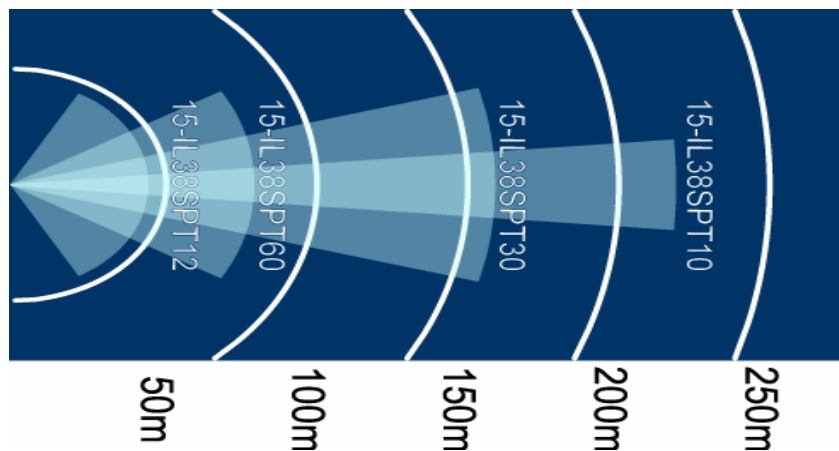
- PoE enabled Cat5e cable with maximum distances Up to 300M (1000 ft).
- Accurate constant current drive develops excellent performance of LEDs
- Using high power LEDs, high efficacy and long service life
- Ambient brightness display
- Brightness Adjustable (10 step)
- Delay time Adjustable (2-30 sec)
- External trigger mode (NO or NC) Selectable (Trigger in and Trigger out)
- Light on and light off : ambient brightness adjustable
- Silica gel waterproof circle and water stop line ensure excellent waterproof performance
- Digital light sensor more accurately responds ambient brightness and improve accuracy of automatic light control
- High efficient twice optical lens processing achieves 90% of the luminous efficiency
- New design, slim body, easy and simple installation
- Supplied with paint steel wall mount bracket
- Improved performance of cameras to get better pictures at night time
- Indoor and outdoor use
- IR Remote control
- 2 year warranty

SPECIFICATION

ITEM	15-IL38SPTxx
Quantity of LED	3W high power LEDs
	12 pcs
Wavelength	850nm
Beam angle	10 / 30 / 60 /120 degrees
IR distance	45 ~ 220 m
Day/night switch	Master Mode: auto on/off by Light Sensor; Slave Mode: on/off by Trigger Input
Voltage	AC24V / DC48-56V/ PoE+ (802.3at)
Power consumption	22 W 802.3at PoE+ class 4
Trigger I/O	Trigger Input: NC/NO selectable (TTL)
	Trigger Output :NC/NO selectable (Dry Contact)
Front panel	Vandal PC
Housing	Aluminum
Bracket	Wall mount bracket
Working temperature	- 30°C ~ + 60° C
Protection level	IP68 and IK10
Color	Black
Dimension	140 x 150 x 57 mm (Don't include bracket)
Net weight	1,2 kg (Don't include bracket)

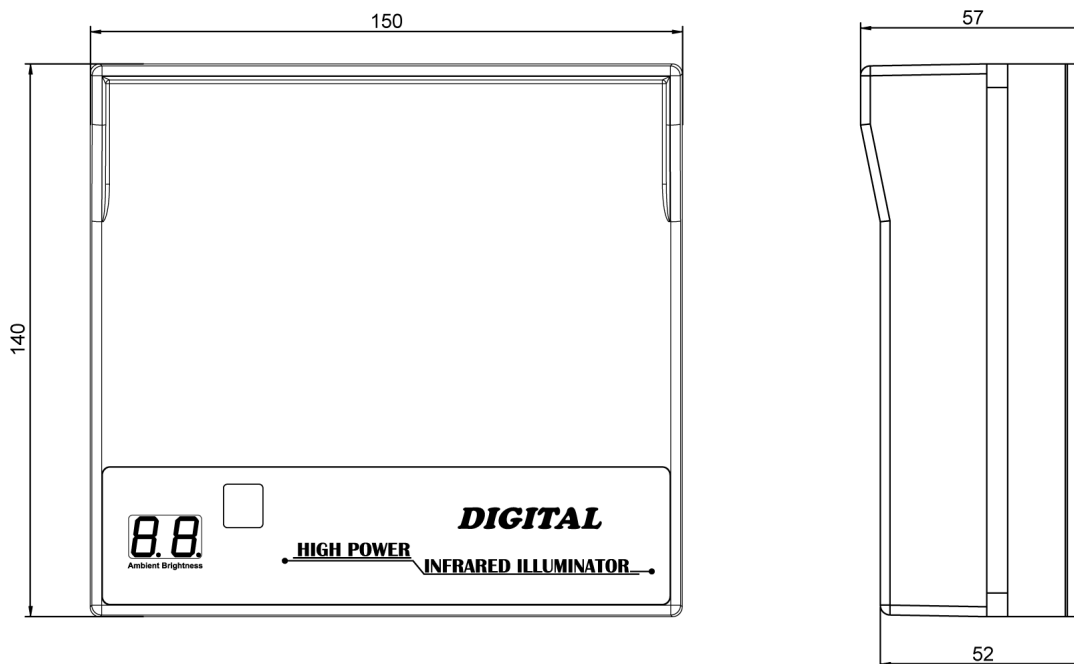
15-IL38SPTxx Beam Pattern and Achievable Distance

Model	Beam angle	IR distance-850nm
15-IL38SPT10	10°	220m
15-IL38SPT30	30°	160m
15-IL38SPT60	60°	80m
15-IL38SPT12	120°	45 m

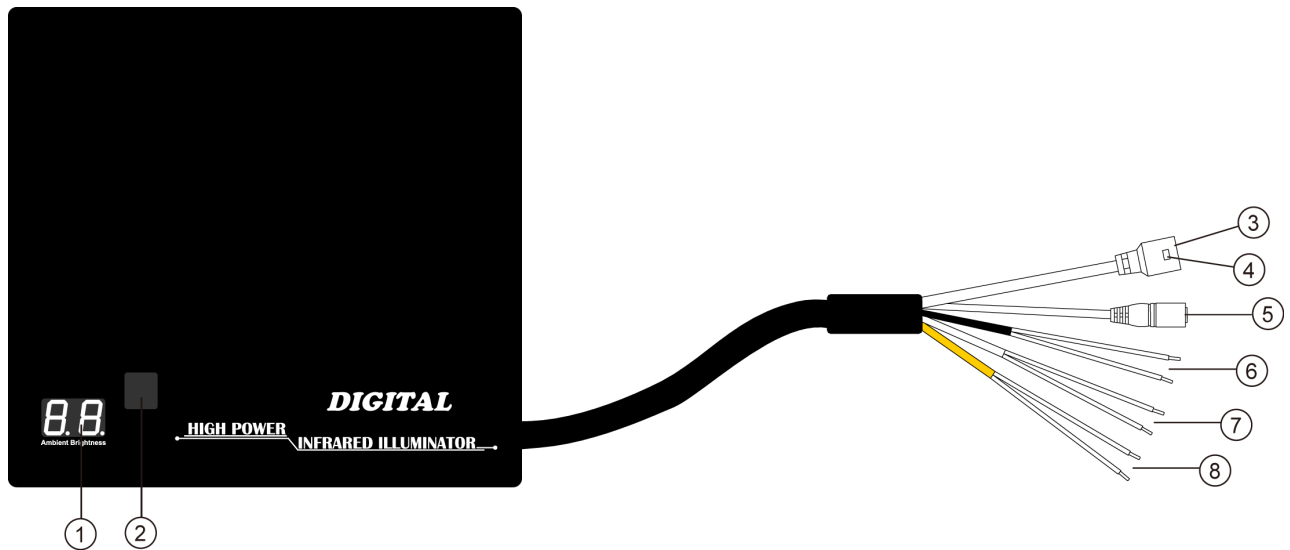


※The distance and performance depend on the cameras/lens and environmental conditions.

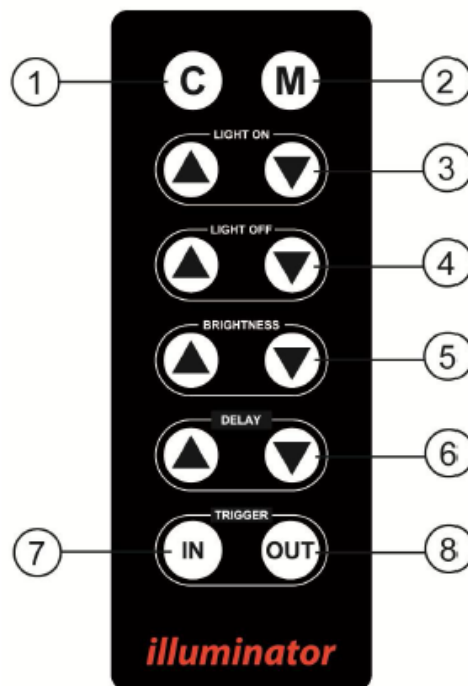
DIMENSION




OPERATION









1. Function Display
2. IR Receiver / Light Sensor
3. PoE Input, RJ45 connector (only uses PoE power, no IP network)
4. PoE or external adaptor power on led indicator.
5. AC24V/DC 48~56V INPUT, please input AC24V/2A or DC48~56/1A up.
6. TRIGGER IN (BLACK), it can link other IR illuminator 15-IL38SPxx
7. TRIGGER OUT (WHITE), it can link other IR illuminator 15-IL38SPxx or camera.
8. M/S (Master Mode / Slave Mode) (YELLOW)
 - 8-1. Master Mode : M/S is open , The Trigger- IN is no effect , IR Light on/ off control by Light Sensor.
 - 8-2. Slave Mode : M/S is short , Light Sensor no effect , IR Light on/ off control by Trigger IN.




1. **C** : Call

Press  to display all setting

Default setting:      
LIGHT ON LIGHT OFF BRIGHTNESS DELAY TRIGGER IN TRIGGER OUT

2. **M** : Memory storage setting

Press  to storage all set values after they have been done completely.



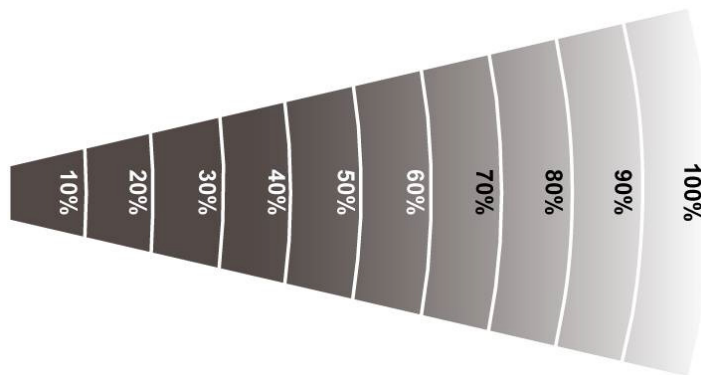
3. **LIGHT ON** : Ambient brightness setting for IR light on, value setting from 00-01-...~60 IR on while the ambient brightness is lower than the set value
=> 00:0.1 lux, 01:0.35 lux, 02:0.6 lux, ..., 20:5.1 lux, ..., 30:7.6 lux, ..., 40:10.1 lux, ..., 60:15.1 lux



4. **LIGHT OFF** : Ambient brightness setting for IR light off, value setting from 06-07...~80 IR off while the ambient brightness is higher than the set value
=> 06:1.6 lux, 07:1.85 lux, 08:2.1 lux, ..., 30:7.6 lux, ..., 50:12.6 lux, ..., 70:17.6 lux, ..., 80:20.1 lux



5. **BRIGHTNESS** : 10 levels (01 ~ 10) for IR light brightness setting
10 levels brightness => 01: 10%, 02: 20%, 03: 30%, 04: 40% ... 9: 90%, 10: 100%



6. **DELAY**: Light off delay time setting
Light off delay time setting is adjustable from 2 to 30 seconds
This is a buffer function against sudden strong light, e.g. the headlight shines from vehicle at night.



7. **IN:** External trigger in "N.C." or "N.O." selectable (NC: normal close; NO: normal open)
 Press "IN" to change N.O. to N.C. (or N.C. to N.O.)
 Under Slave Mode (see manual point 4 of page 3), the illuminator can be trigger in from camera or other devices (e.g. trigger in signal from another IL38/IL38L series illuminators)

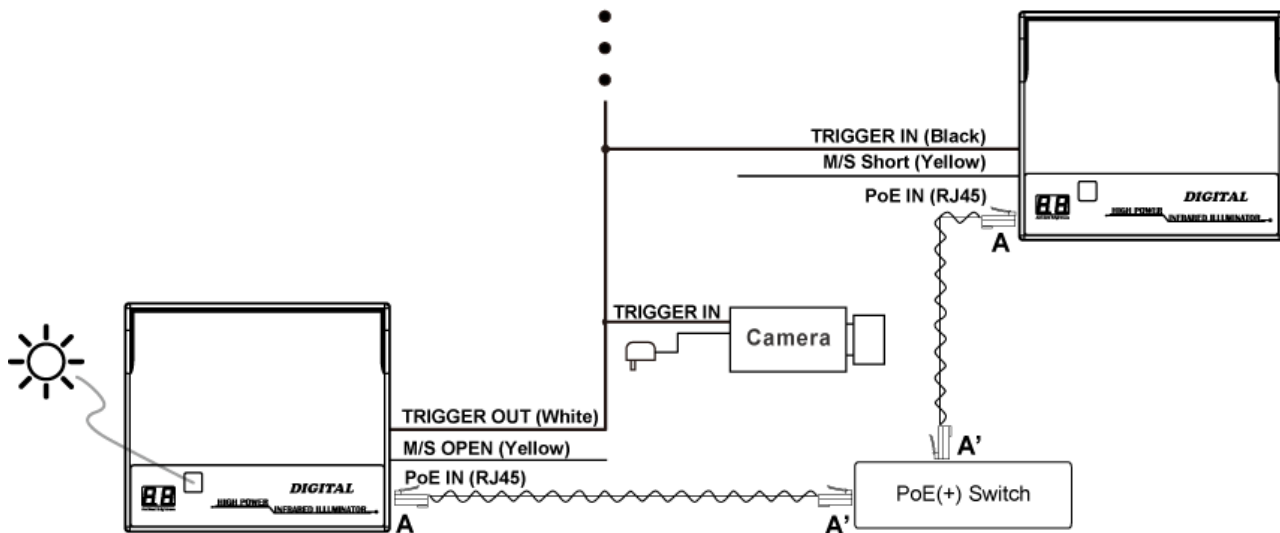


8. **OUT:** Trigger out "N.C." or "N.O." selectable
 Press OUT to change N.O. to N.C. (or N.C. to N.O.)
 The illuminator can be trigger out to a color camera for switching to B/W.
 When the illuminator is set under Master Mode, it can be trigger our to another IL38/IL38L series illuminator (under Slave Mode) and can be connected one by one no limit.



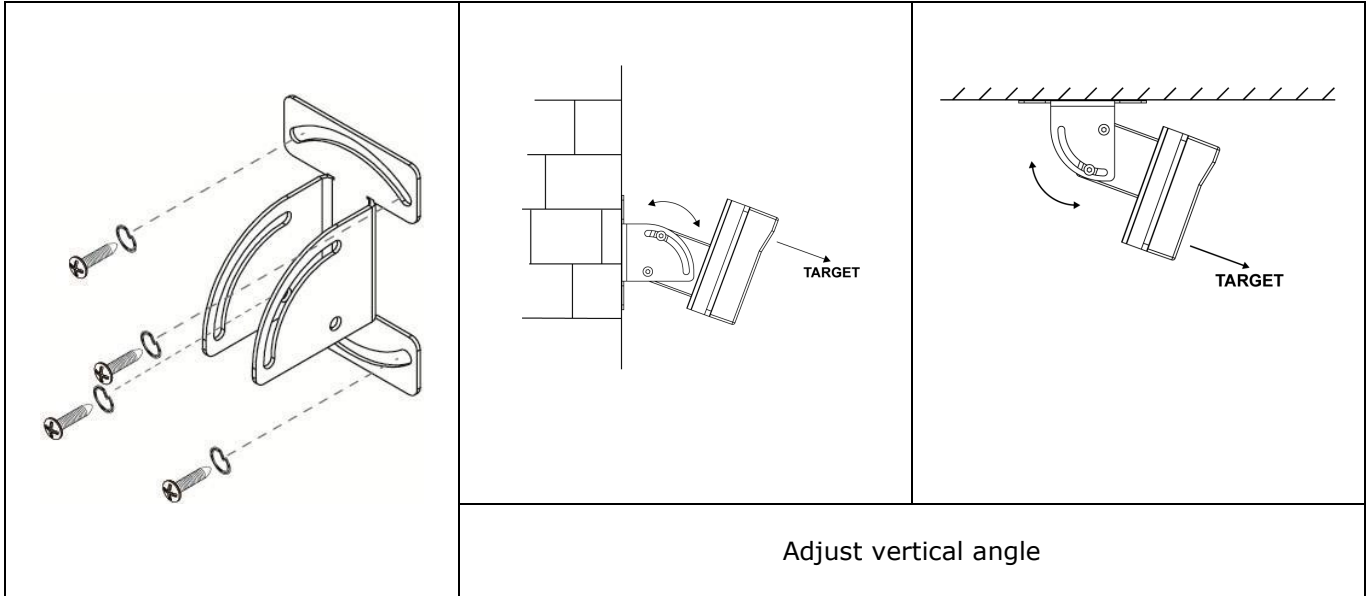
CONNECTION DIAGRAM

Master Mode

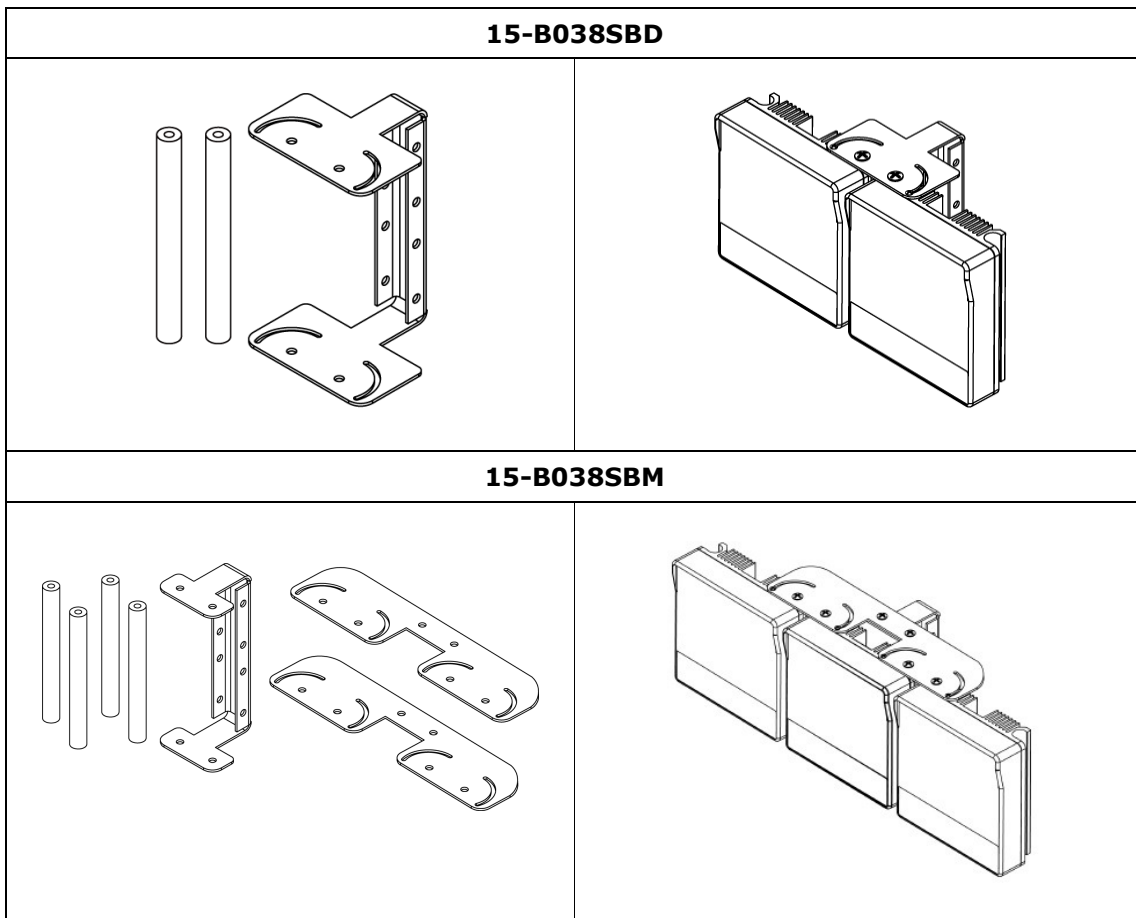


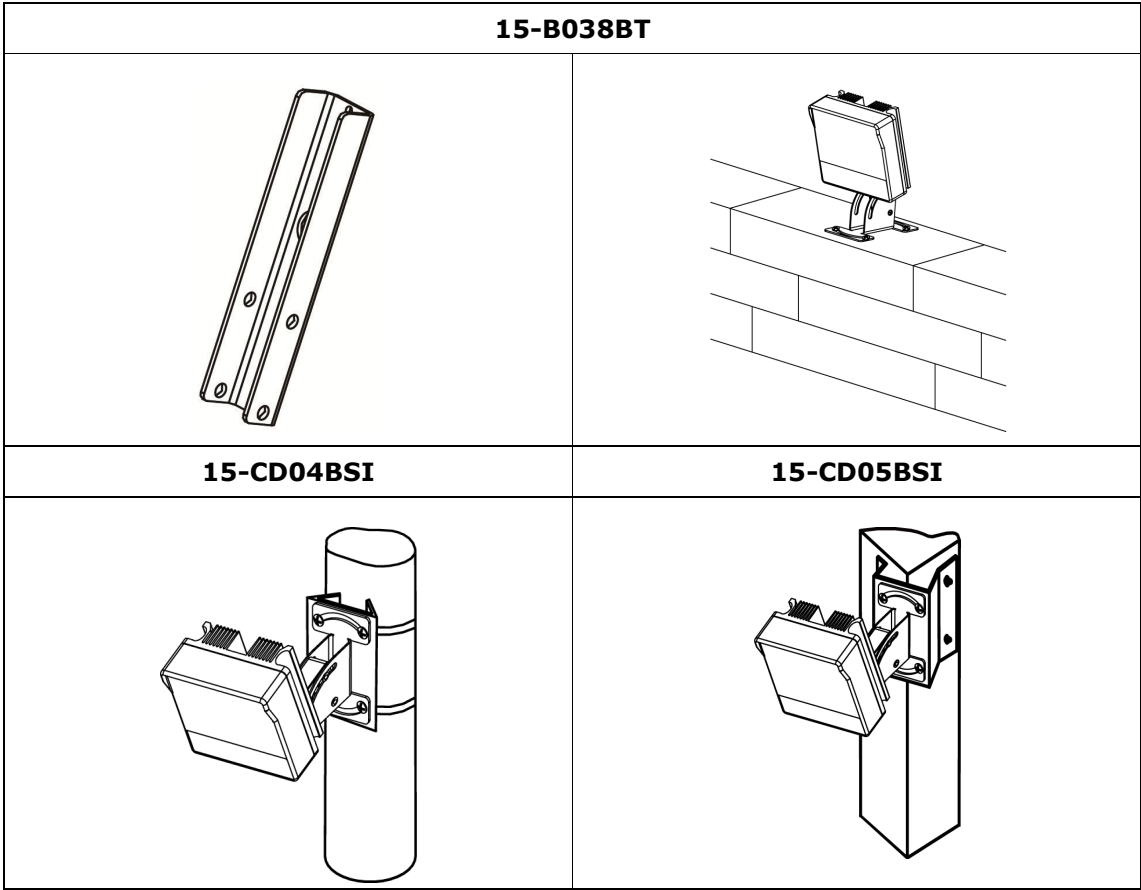
A~A' = Cat 5e Copper-Core 300m
 Copper-Coated Aluminum Core 100m

SET UP



OPTIONERY BRACKETS





PACKING LIST

- 1. ILLUMINATOR x 1
- 2. BRACKET x 1
- 3. WAMM MOUNT BRACKET x 1
- 4. REMOTE CONTROLLER x 1
- 5. MANUAL x 1

