

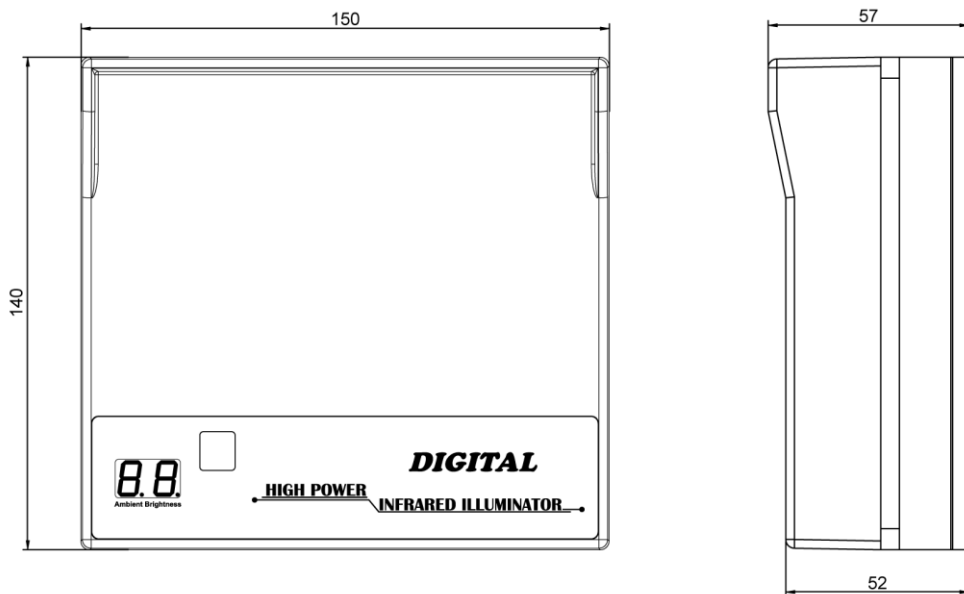
High Performance Infrared PoE+ Illuminator 850nm/940nm



◆ **Description**

- PoE enabled Cat5e cable with maximum distances Up to 220M (721.8 ft)
- Accurate constant circuit drive develops excellent performance of LEDs
- Using high power LEDs, high efficacy and long service life
- Ambient brightness display
- Brightness Adjustable (10 step)
- Delay time Adjustable (2-30 sec)
- External trigger mode (NO or NC) Selectable (Trigger in and Trigger out)
- Light on and light off : ambient brightness adjustable
- Silica gel waterproof circle and water stop line ensure excellent waterproof performance
- Digital light sensor more accurately responses ambient brightness and improve accuracy of automatic light control
- High efficient twice optical lens processing achieves 90% of the luminous efficiency
- New design, slim body, easy and simple installation
- Supplied with paint steel wall mount bracket
- Improved performance of cameras to get better pictures at night time
- Indoor and outdoor use
- IR Remote control

◆ **DIMENSION**

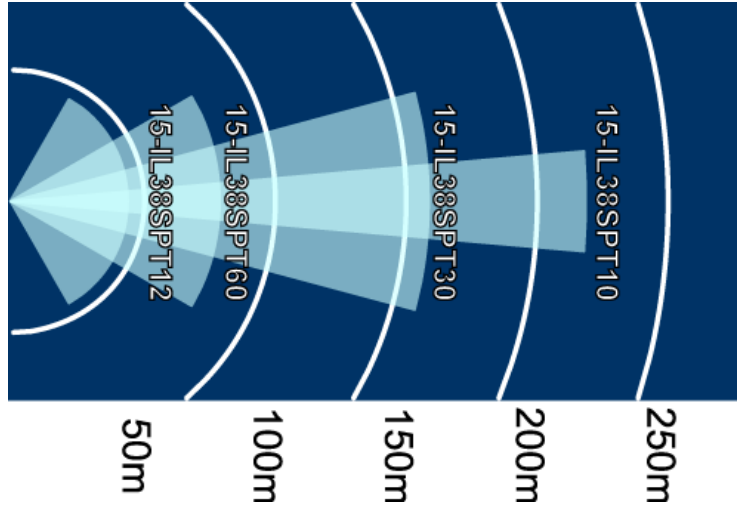


◆ Specification

ITEM	15-IL38SPTxx	15-IL38SPT9xx
Quantity of LED	3W high power LEDs X 12pcs	
Wavelength	850nm	900nm
Beam angle	10 、 30 、 60 、 120 degrees	
IR distance	45 – 220m (147 – 721.8 ft)	30 – 180 m (98.4 – 590.6 ft)
Day/night switch	Master Mode: auto on/off by Light Sensor; Slave Mode: on/off by Trigger Input	
Function Setting	Remote Controller	
Starting Level	Level 2-60 Depend on the Environment Brightness	
Stopping Level	Level 6-80 Depend on the Environment Brightness	
Delay OFF Time	2-30s Adjustable	
Intensity Adjustment	1-10 Level Adjustable	
Trigger IN	NO/NC selection	
Trigger OUT	NO/NC selection	
Master/Slave Mode	YES	
Parameter Memory	YES	
Check Parameter Memory	YES	
Voltage	AC24V / DC48-56V/ PoE+ (802.3at)	
Power consumption	22 W 802.3at PoE+ class 4	
Front panel	Vandal PC	
Housing	aluminum	
Bracket	Wall mount bracket	
Working temperature	-30°C ~ + 60°C (-22 to 140°F)	
Water Proof	IP68	
Vandal Proof	IK10	
Color	Black	
Dimension	140 x 150 x 57 mm (without bracket)	
Net weight	1.2kg (without bracket)	

◆ 15-IL38SPTxx Beam Pattern and Achievable Distance

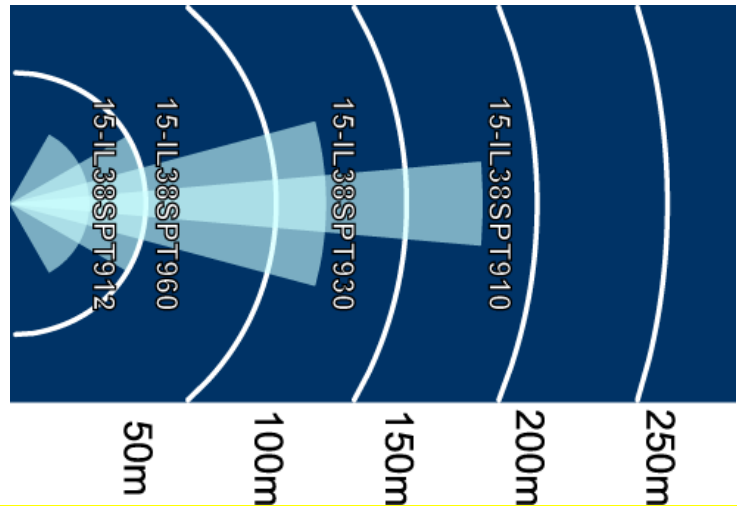
Model	Beam angle	IR distance-850nm
15-IL38SPT10	10°	220m (721.8ft)
15-IL38SPT30	30°	160m (524.9ft)
15-IL38SPT60	60°	80m (262.5ft)
15-IL38SPT12	120°	45m (147.6ft)



※The distance and performance depend on the cameras/lens and environmental conditions.

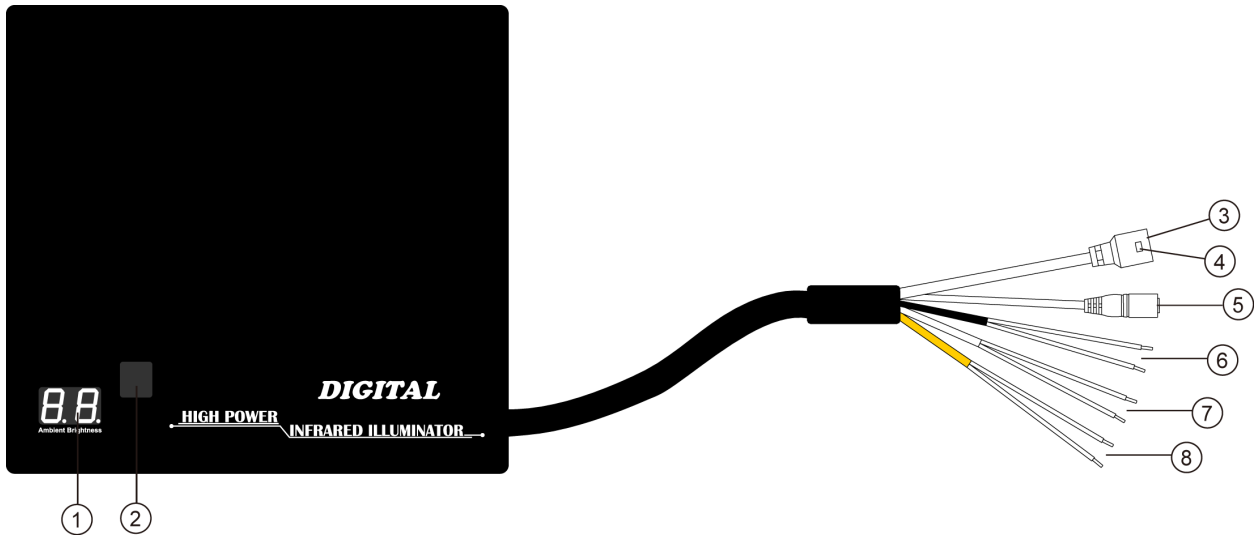
◆ 15-IL38SPT9xx Beam Pattern and Achievable Distance

Model	Beam angle	IR distance-940nm
15-IL38SPT910	10°	180m (590.6ft)
15-IL38SPT930	30°	120m (393.7ft)
15-IL38SPT960	60°	50m (164ft)
15-IL38SPT912	120°	30m (98.4ft)



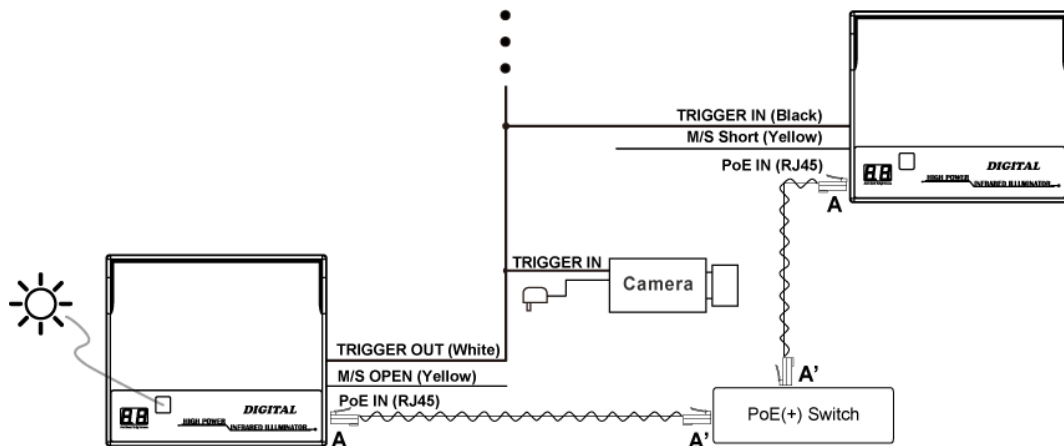
※The distance and performance depend on the cameras/lens and environmental conditions.

◆ Operation



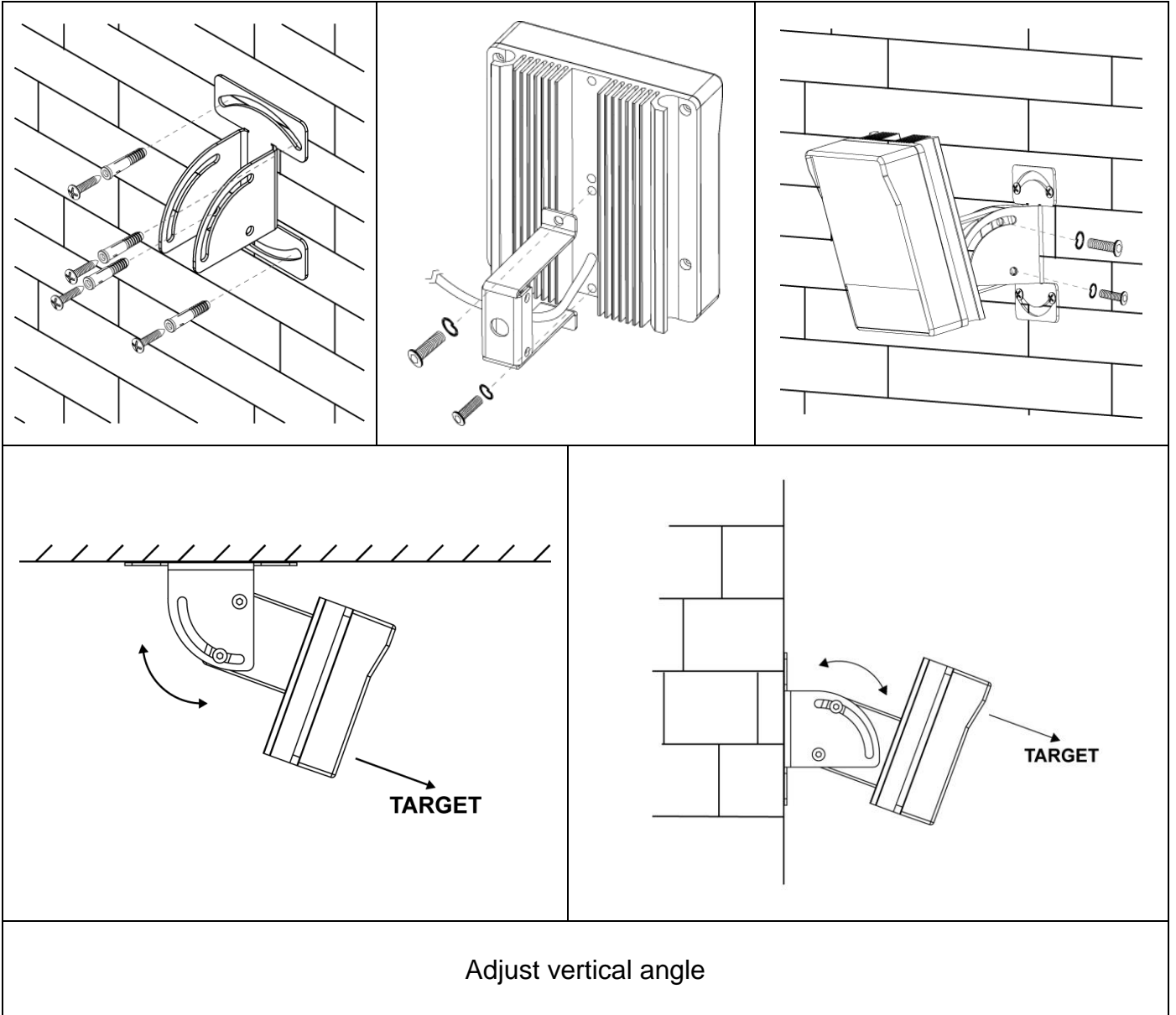
1. Function Display
2. IR Receiver / Light Sensor
3. PoE Input, RJ45 connectr (only uses PoE power, no IP network)
4. PoE or external adaptor power on led indicator.
5. AC24V/DC 48~56V INPUT, please input AC24V/2A or DC48~56/1A up.
6. TRIGGER IN (BLACK), it can link other IR illuminater 15-IL38SPxx
7. TRIGGER OUT (WHITE), it can link other IR illuminater 15-IL38SPxx or camera.
8. M/S (Master Mode / Slave Mode) (YELLOW)
 - 8-1. Master Mode : M/S is open , The Trigger- IN is no effect , IR Light on/ off control by Light Sensor.
 - 8-2. Slave Mode : M/S is short , Light Sensor no effect , IR Light on/ off control by Trigger IN.

◆ CONNECTION DIAGRAM

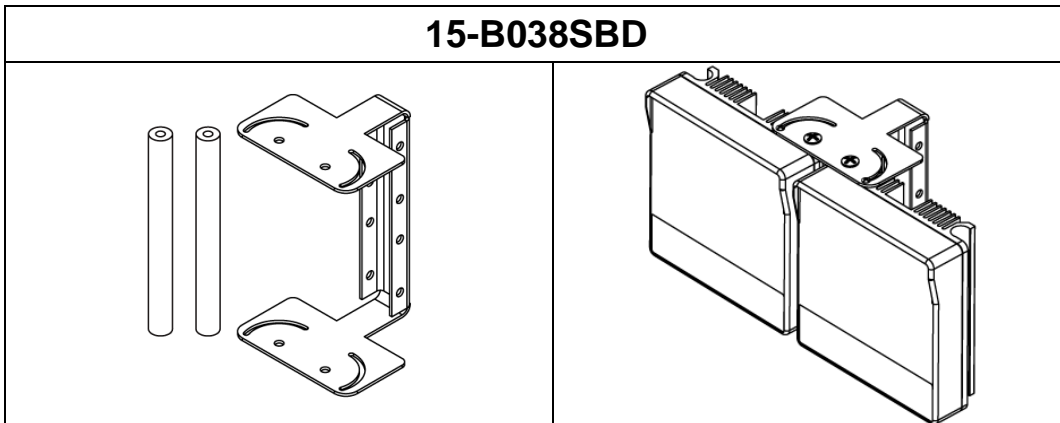


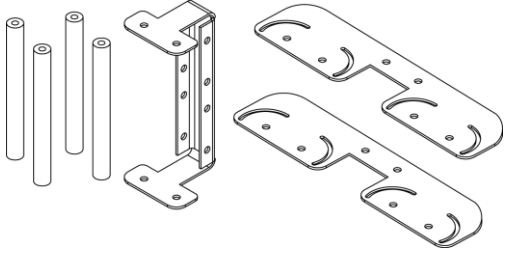
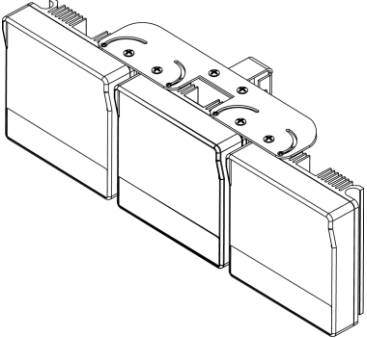
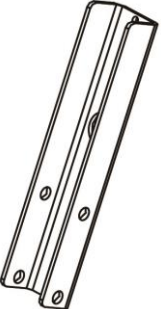
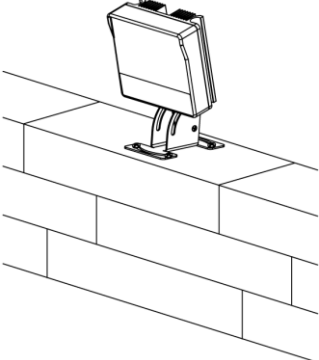
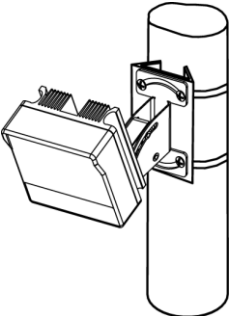
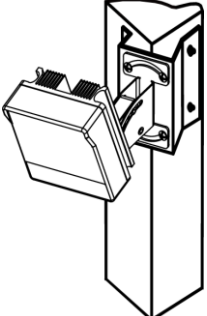
A~A' = Cat 5e Copper-Core 300m
Copper-Coaed Aluminum Core 100m

◆ **Installation**



◆ **Optional Brackets**



15-B038SBM	
	
15-B038BT	
	
15-CD04BSI	15-CD05BSI
	



VER:2017/5/31